

4

3

2

1

D

D

C

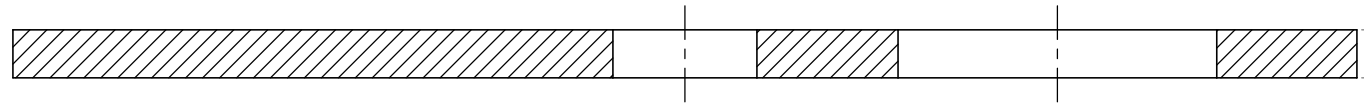
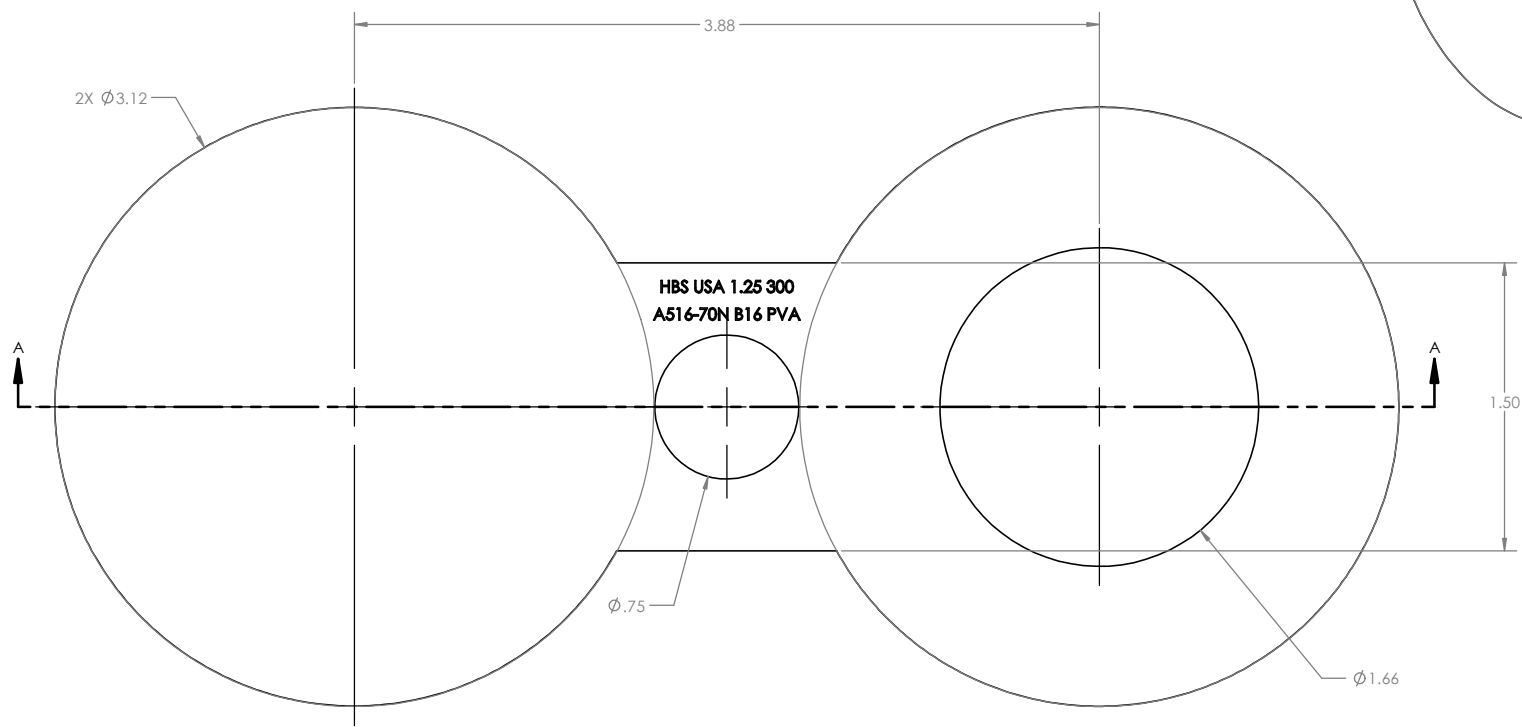
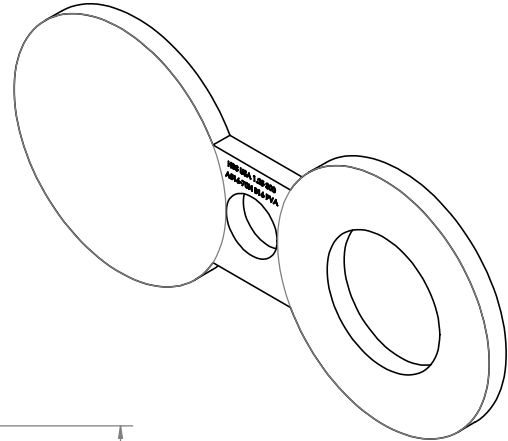
C

B


B

A

A



SECTION A-A

DO NOT SCALE PRINT		UNLESS OTHERWISE SPECIFIED: OUTSIDE DIAMETER: (+/-0.12) INSIDE DIAMETER: (+/-0.12) THICKNESS TOLERANCES (-ZERO +0.12) ALL UNITS IN INCHES OR POUNDS		HYDROBLIND -ISOLUTIONS
		SHEET 1 OF 1		
MATERIAL: CUSTOMER REQUESTED		DATE: 06/24/2020		DRAWING TITLE: 1-1/4 CL 300 FIGURE 8 BLIND
SCALE 1:4	SIZE C	DIMENSIONS & TOLERANCES TO BE IN ACCORDANCE WITH ASME B16.48	WEIGHT 1 lb	REV 00
		DRAWING NUMBER: 3SBI		

4

3

2

1